



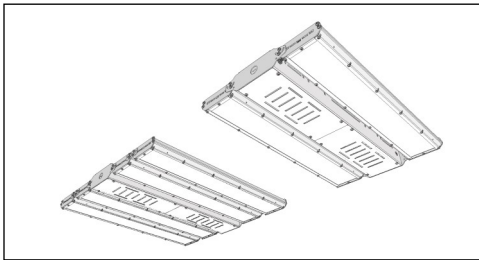
Installation & Maintenance Manual

SOL-G2 LED Luminaire Ultra-versatile High Output Lighting

IMPORTANT SAFETY INSTRUCTIONS *Mesures de Sécurité à Respecter*

This product must be installed in accordance with the applicable installation code by a person familiar with the construction and operation of the product and the hazards involved.

Ce produit doit être installé selon le code d'installation pertinent, par une personne qui connaît bien le produit et son fonctionnement ainsi que les risques inhérents.



Brief Introduction

Ultra-versatile high output lighting luminaire to be installed via Suspension, Surface, or Pendant Stem.

Surface/Pendant LED Luminaire—Certified to Canada/US Standards CSA C22.2 No. 250.0-18 UL1598, 4th Edition

Suitable for wet locations. *Convient aux emplacements mouillés.*

Covered ceiling mount only. *Installation sur plafond couvert seulement.*

Pendant mount this luminaire using only the mounting hardware supplied by the manufacturer or similar. *Installer ce luminaire comme lustre en utilisant seulement la quincaillerie fournie par le manufacturier ou une quincaillerie similaire.*

Min 90°C supply conductors. *Les fils d'alimentation doivent convenir pour 90°C.*

Caution—risk of shock. *Attention—risque de choc.*

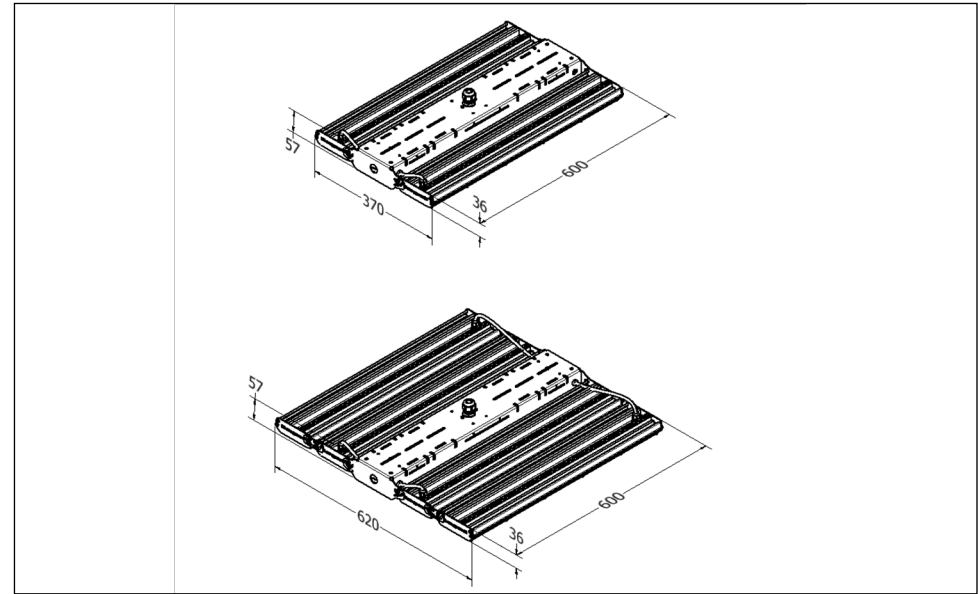
Remove luminaire for maintenance. *Enleve luminaire pour l'entretien.*

Not for use in dwellings. *Ne pas utiliser dans les logements.*

Always keep protective metal plate and screws in place. Remove only when necessary. *Garder toujours la plaque de protection en métal et les vis en place. Retirez uniquement si nécessaire.*

(If applicable) This luminaire is provided with a factory installed emergency lighting battery pack. *Ce luminaire est fourni avec un bloc-batterie d'éclairage de secours installé en usine.*

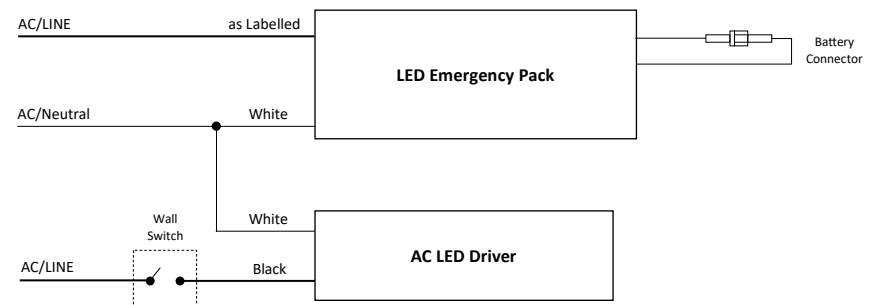
Basic Dimensions (in millimeter)



Wiring Instructions

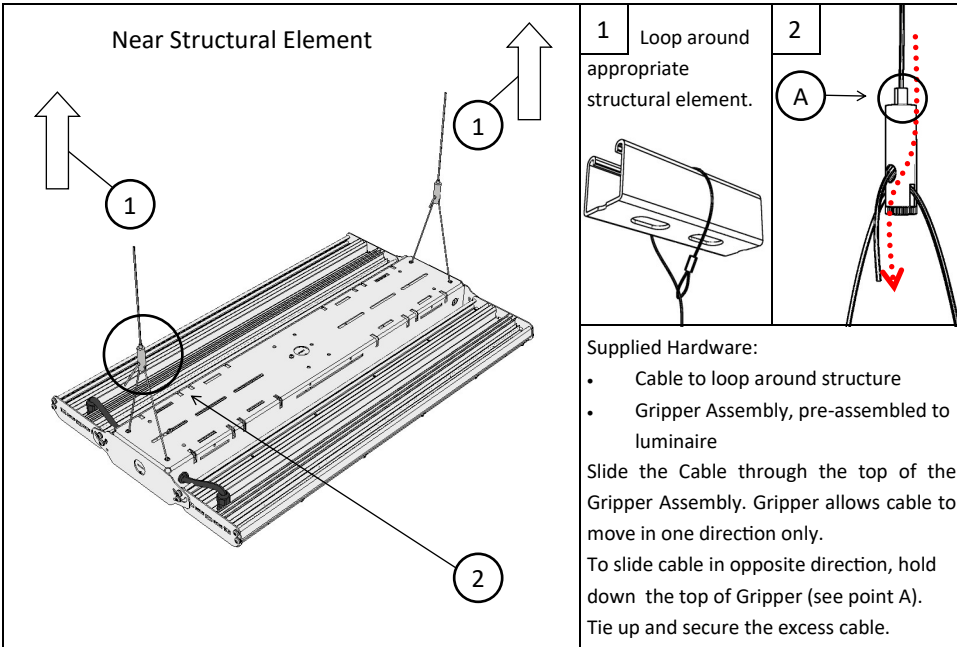
Wiring from LED Driver to AC Supply, or LED Driver Terminal Block Colouring		AC/Line 120/277/347/480V Supply Connection (Black)
		AC/Neutral Connection (White)
		Earth Ground Connection (Green)
<hr/>		
Wiring for 0-10V Dimming, from Separate Cord		Dim + Connection (Violet/as Labeled)
		Dim - Connection (Gray/as Labeled)
<hr/>		
<i>(If applicable)</i> Wiring from Emergency Driver to LED Driver		AC/Line 120/277/347V Supply Connection (as Labeled)
		AC/Neutral Connection (White)

• System Wiring Diagram for Emergency LED Driver:



Note: Emergency driver and AC driver must be fed from the same branch circuit.

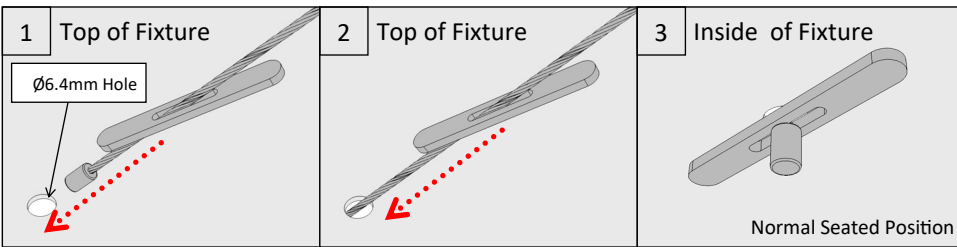
Suspension Kit Installation



Part of the suspension kit is assembled into the luminaire. However, if for some reason the suspension kit not completely assembled into the fixture. Follow the following procedure to reattach the cable into the luminaire.

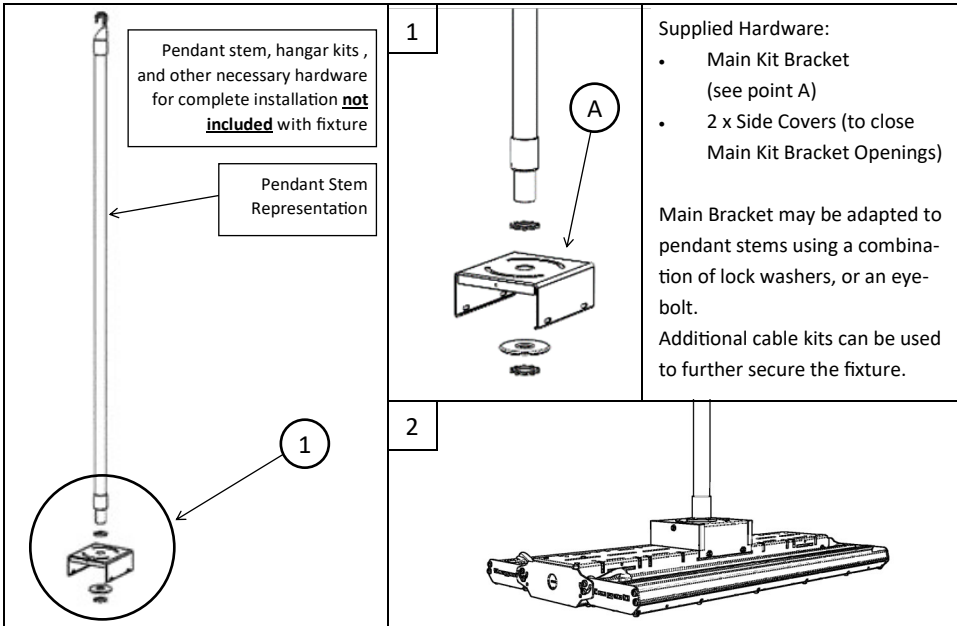
Please, do not disassemble the cable gripper assembly. Critical components may dislodge from their normal position and may cause the gripper assembly to be faulty.

For all other issues regarding installation of the suspension kit, please contact Lumingen Technologies



Ensure all metal conduit plugs are in-place in unused openings.

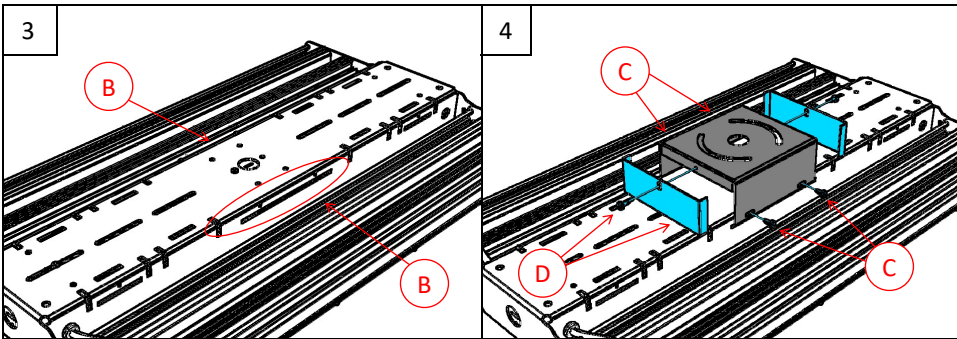
Pendant Kit (Pendant Stem) Installation



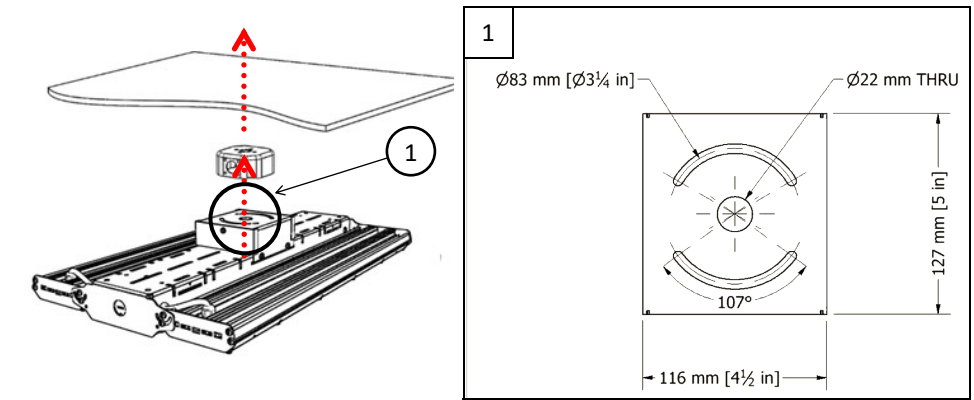
The Main Bracket should hook into the slot on both sides at the center of the fixture (see point B). Align and secure the bracket to the fixture with the four provided screws (see point C) at both sides of the bracket.

Wiring may be completed within the bracket enclosure. Enclose the bracket with both side covers and the supplied screws (see point D) to cover the wiring compartment.

Ensure all metal conduit plugs are in-place in unused openings.



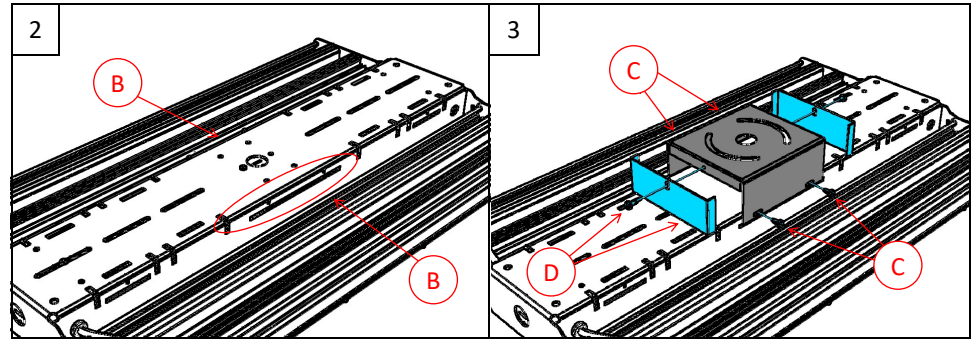
Pendant Kit (over Junction Box) Installation



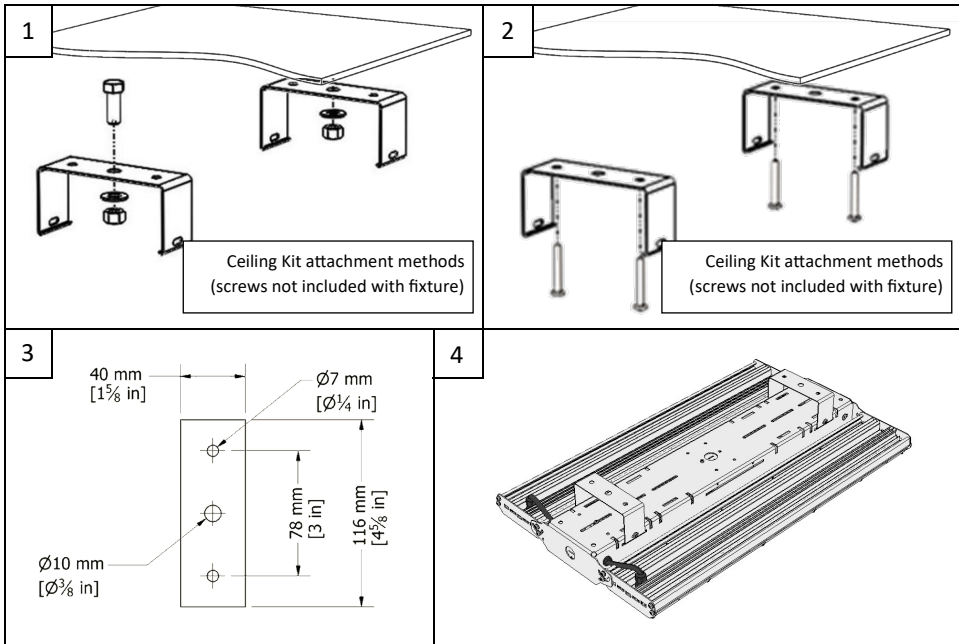
The Main Bracket should hook into the slot on both sides at the center of the fixture (see point B). Align and secure the bracket to the fixture with the four provided screws (see point C) at both sides of the bracket.

Wiring may be completed within the bracket enclosure. Enclose the bracket with both side covers and the supplied screws (see point D) to cover the wiring compartment.

Ensure all metal conduit plugs are in-place in unused openings.



Surface Mount Kit Installation



Attach the ceiling brackets to the installation surface.

The Ceiling Bracket should hook into the slot on both sides at the ends of the fixture (see point A). Align and secure the brackets to the fixture with the four provided screws (see point B) at both sides of each bracket.

Ensure all metal conduit plugs are in-place in unused openings.

